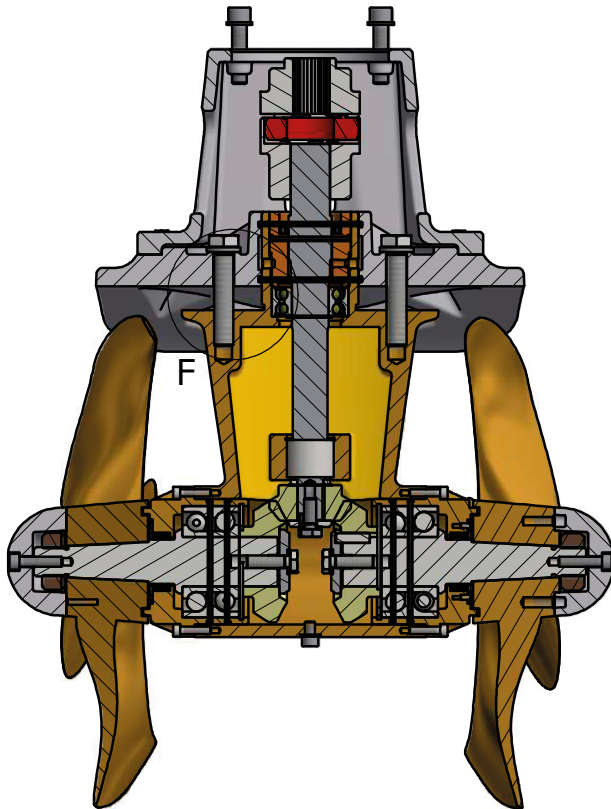
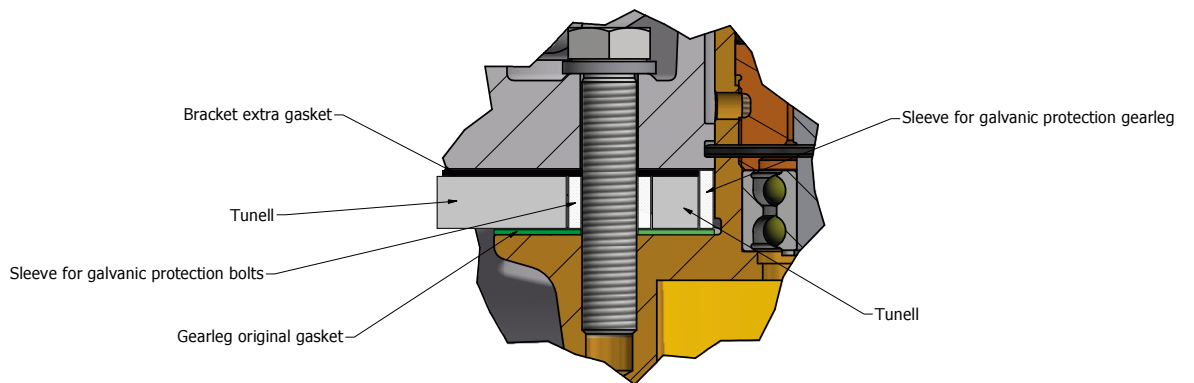


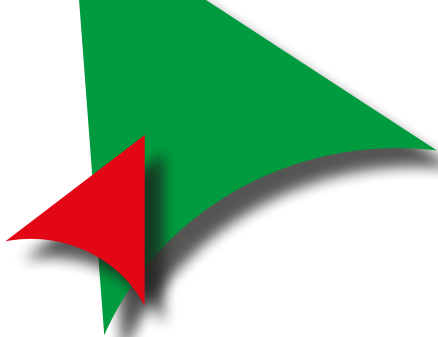
Isolation kits for steel/aluminium tunnels

NEW



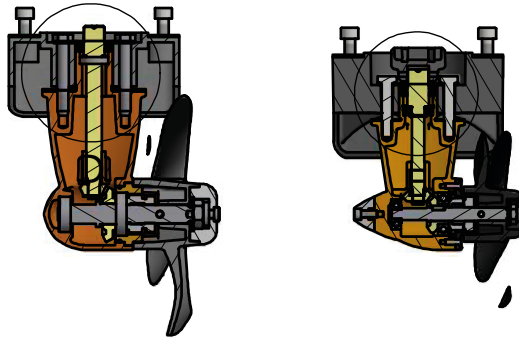
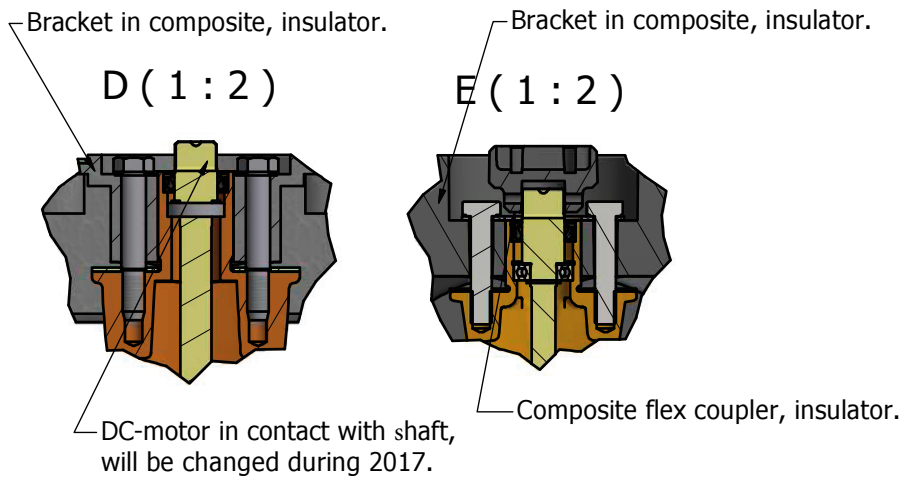
F (1:1)

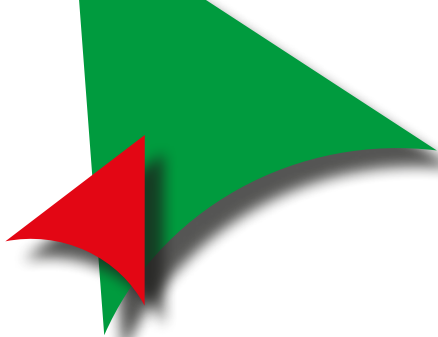




SE25 - SE60 / Ø110mm - Ø185mm

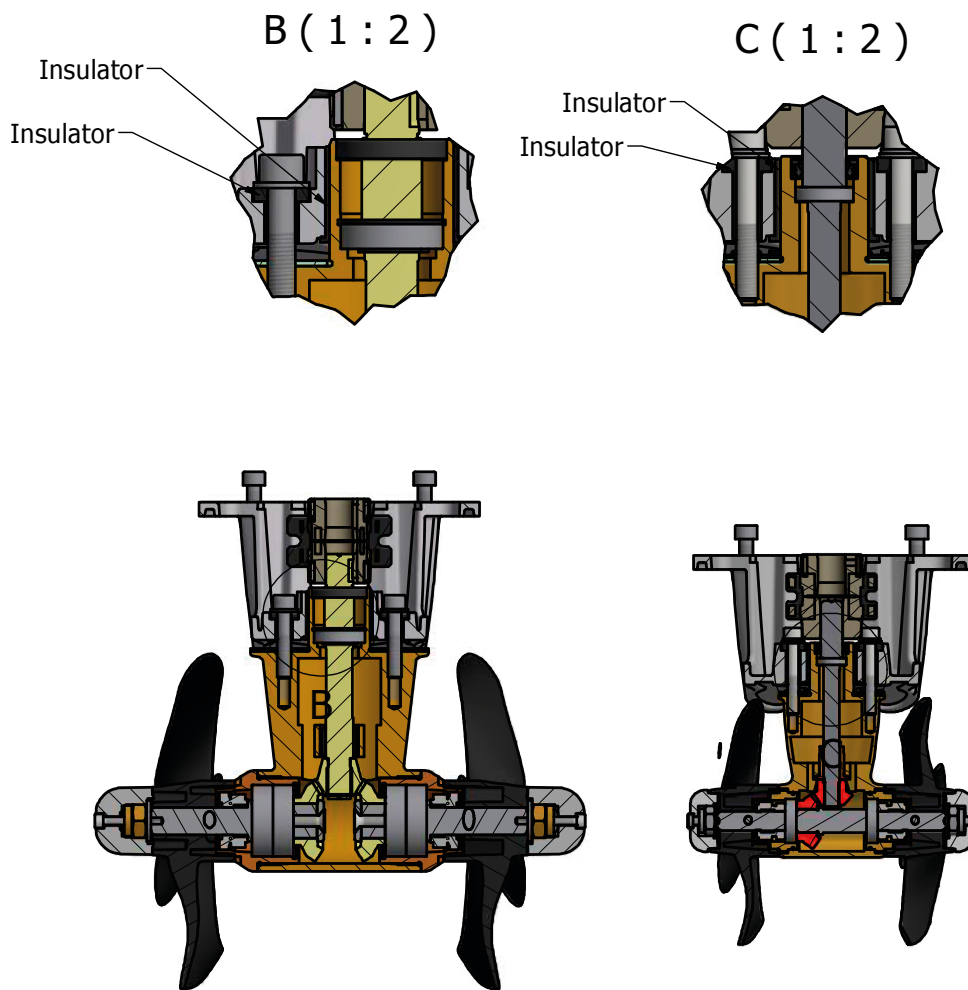
- SE30-40-60 will be galvanic isolated during 2017. (SE25 and SE50 is already galvanic isolated)
- Gearleg bolts in stainless steel must be insulated from the aluminium tunnel with a sleeve or equal for galvanic insulation.
- Brackets are in composite, so there is no risk for B+ connection to aluminium hull. No need for extra gasket as safety between bracket and tunnel.

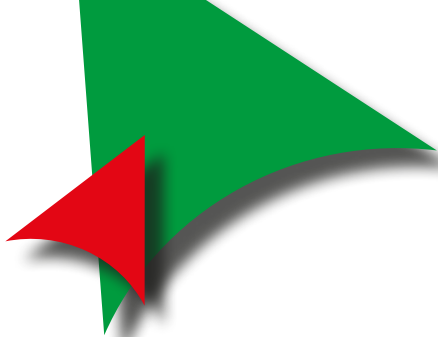




SE80 - SE/SH300 / Ø185mm - Ø300mm

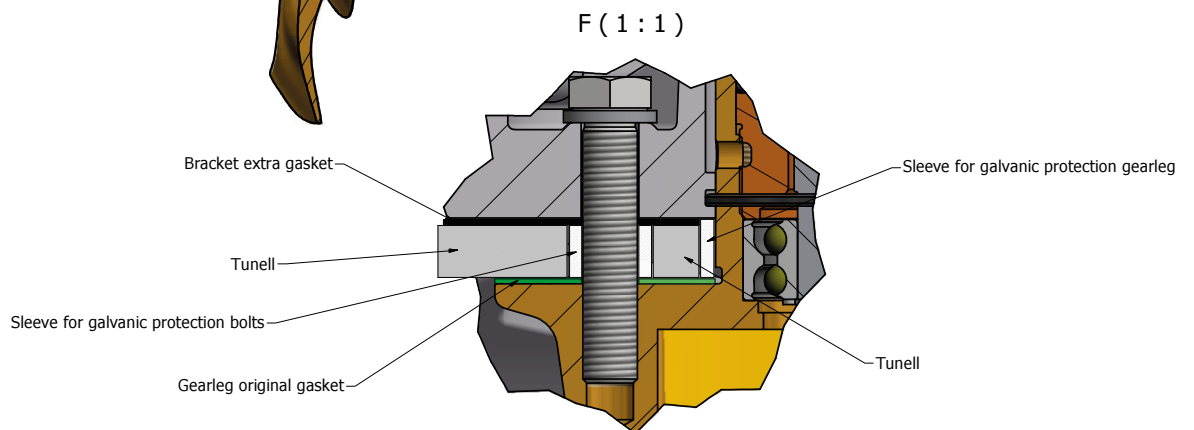
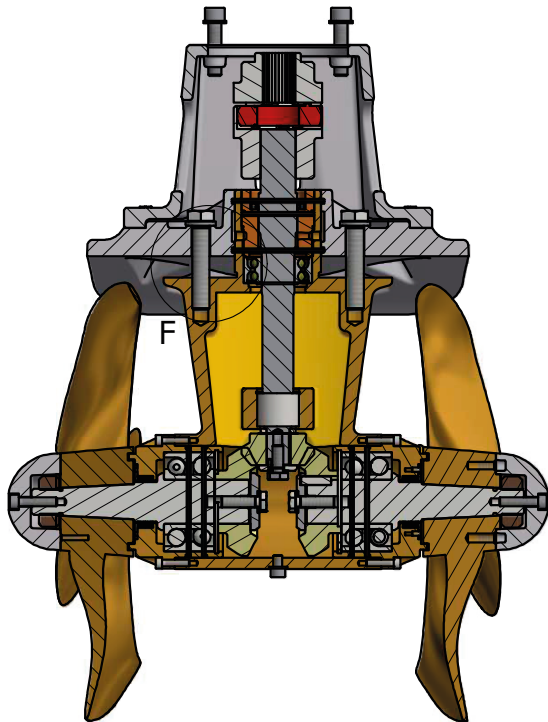
- Thrusters with insulated aluminium bracket and pre-filled with oil:
- We recommend the aluminium tunnel to be coated with epoxy primer.
- Gearleg bolts in stainless steel must be insulated from the aluminium tunnel with a sleeve or equal for galvanic insulation.
- Brackets are in aluminium, so there is a risk for B+ connection to aluminium hull.
- We recommend an extra gasket as safety and insulation between bracket and tunnel.





SH350 - SH1400 / Ø300mm - Ø610mm

- Gearlegs with gear oil change:
- We recommend the aluminium tunnel to be coated with epoxy primer.
- Gearleg bolts in stainless steel must be insulate from the aluminium tunnel with a sleeve or equal for galvanic insulation.
- Brackets are in aluminium, so there is a risk for B+ connection to aluminium hull. We recommend a extra gasket (some models have as standard) as safety and insulation between bracket and tunnel.





Dimensions - Isolation kits - Ø110mm - Ø125mm

↓

DRILLING TEMPLATE
Diameters must be adjusted at the tunnel:

IT	QT	DRAWING NO	STOCK NO	TITLE	MATERIAL
1	2	SM-128352	SM-128352	Galvanic protection for bolts M6	Acetal Resin, White
2	1	SM-128351	SM-128351	Galvanic protection for gearhouse (Ø110-125 tunnel)	Acetal Resin, White

Designed by Elvira H.	Material Type	Date 6/13/2017	Drawing nr SM-128355	Tolerance NS-ISO 2768-1	
Copyright All rights reserved		Title Isolations kit for steel/alu hulls (Ø110 tunnel)			
SLEIPNER MOTOR AS		SidePower thrusters SE25			
		Part nr 2 1320	Weight 0.001 kg	Size A4	Scale 2 : 1

↑

DRILLING TEMPLATE
Diameters must be adjusted at the tunnel:

ITEM	QTY	DRAWING NO	STOCK NO	TITLE	MATERIAL
1	1	SM-128351	SM-128351	Galvanic protection for gearhouse (Ø110-125 tunnel)	Acetal Resin, White
2	2	SM-128262-02 3mm	SM-128262 h3	Galvanic protection for bolts M8 (Ø110-125 tunnel)	Acetal Resin, White

Designed by Elvira H.	Material Type	Date 6/13/2017	Drawing nr SM-128365	Tolerance NS-ISO 2768-1	
Copyright All rights reserved		Title Isolations kit for steel/alu hulls (Ø125 tunnel)			
SLEIPNER MOTOR AS		SidePower thrusters SE30/40			
		Part nr 3 1320	Weight 0.001 kg	Size A3	Scale 2 : 1

REVISION HISTORY				
Revidert av:	REV	DESCRIPTION	DATE	
Elvira H.	A	SM-128262 h3 ny revisjon	22.06.2018	



Dimensions - Isolation kits - Ø140mm - Ø185mm

DRILLING TEMPLATE
Diameters must be adjusted at the tunnel:

IT	QT	DRAWING NO	STOCK NO	TITLE	MATERIAL
1	1	SM-129223	SM-129223	Galvanic protection for girhus (Ø185 tunnel)	Acetal Resin, White
2	2	SM-128262-01 3mm	SM-128262 h3	Galvanic protection for bolts M8 (Ø110-125 tunnel)	Acetal Resin, White

Designed by Elvira H.	Material Type	Date 8/14/2017	Drawing nr SM-129224	Tolerance NS-ISO 2768-1			
Copyright: All rights reserved		Title Isolation kit for steel/alu hulls Ø185 Side Power thrusters SE50/60					
SLEIPNER MOTOR AS		Part nr 5 1320	Weight 0.001 kg	Size A4	Scale 2 : 1	Edition 1	Sheet 1 / 1

DRILLING TEMPLATE
Diameters must be adjusted in the tunnel:

IT	QT	DRAWING NO	STOCK NO	TITLE	MATERIAL
1	1	SM-128261	SM-128261	Galvanic protection/gearhouse (Ø185 tunnel)	Acetal Resin, White
2	2	SM-128262-01 5mm	SM-128262 h5	Galvanic protection for bolts M8 (Ø110-125 tunnel)	Acetal Resin, White
3	1	SM-127908	SM-127908	Gasket for galvanic insulation for bracket	INCA

Designed by Elvira H.	Material Type	Date 13.06.2017	Drawing nr SM-128263	Tolerance NS-ISO 2768-1			
Copyright: All rights reserved		Title Isolation kit for steel/alu hulls Ø185 Side Power thrusters SE80/100					
SLEIPNER MOTOR AS		Part nr 7 1320	Weight 0,019 kg	Size A3	Scale 1 : 1	Edition 1	Sheet 1 / 1





Dimensions - Isolation kits - Ø215 - 300mm

DRILLING TEMPLATE
Diameters must be adjusted at the tunnel:

IT	QT	DRAWING NO	STOCK NO	TITLE	MATERIAL
1	1	SM-128266	SM-128266	Galvanic protection Ø215-250 tunnel	Acetal Resin, White
2	1	SM-127901	SM-127901	Gasket for galvanic insulation for bracket	INCA
3	2	SM-128268-01	SM-128268 h7	Galvanic protection/bolts M10	Acetal Resin, White

Designed by: Elvira H. | Material Type: | Date: 6/13/2017 | Drawing nr: SM-128269 | Tolerance: H0-ISO 2768-1

Copyright: All rights reserved. SLEIPNER MOTOR AS

Isolation kit for steel/alu hulls (Ø215-250 tunnel)
Side Power thrusters SE120-130-150-170-210

Part nr	9 1320	Weight	0,019 kg	Size	A3	Scale	1 : 1	Edition	1	Sheet	1 / 1
---------	--------	--------	----------	------	----	-------	-------	---------	---	-------	-------

DRILLING TEMPLATE
Diameters must be adjusted at the tunnel:

ITEM	QTY	DRAWING NO	STOCK NO	TITLE	MATERIAL
1	1	SM-128392	SM-128392	Galvanic protection in steel/alu hulls Ø300 tunnel	Acetal Resin, White
2	1	SM-127816	SM-127816	Gasket for galvanic insulation for bracket	INCA
3	2	SM-128268-02	SM-128268 h9	Galvanic protection/bolts M10	Acetal Resin, White

Designed by: Elvira H. | Material Type: | Date: 6/14/2017 | Drawing nr: SM-128396 | Tolerance: H0-ISO 2768-1

Copyright: All rights reserved. SLEIPNER MOTOR AS

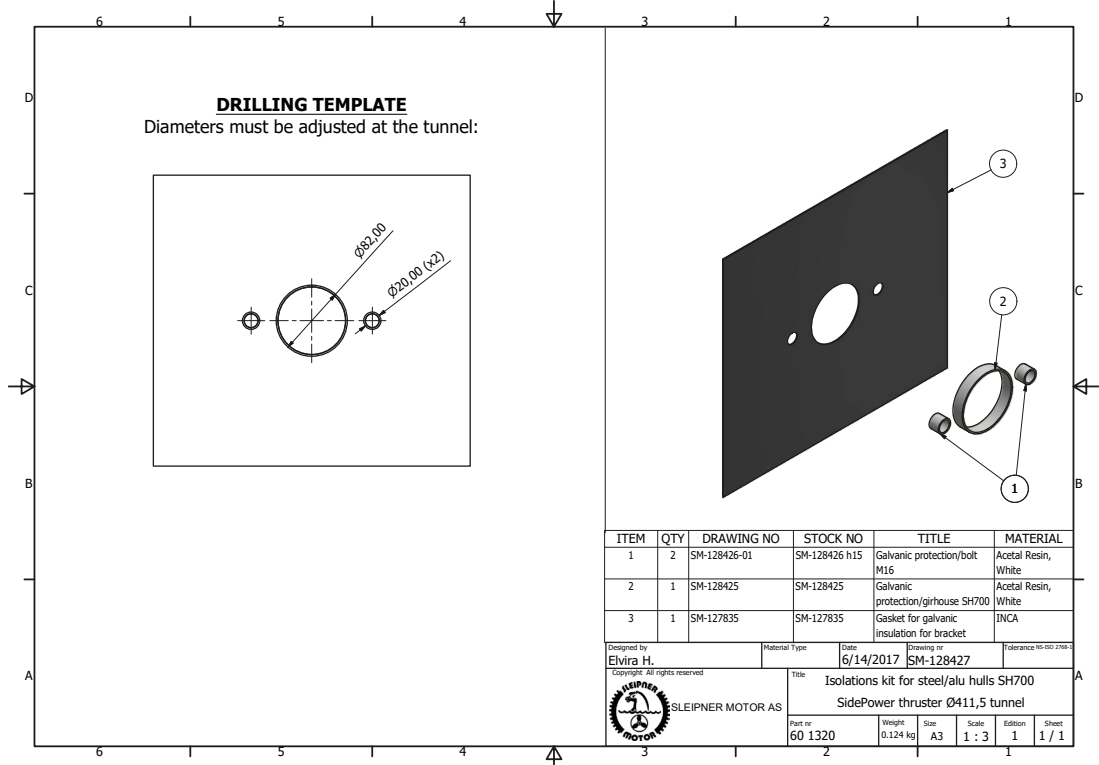
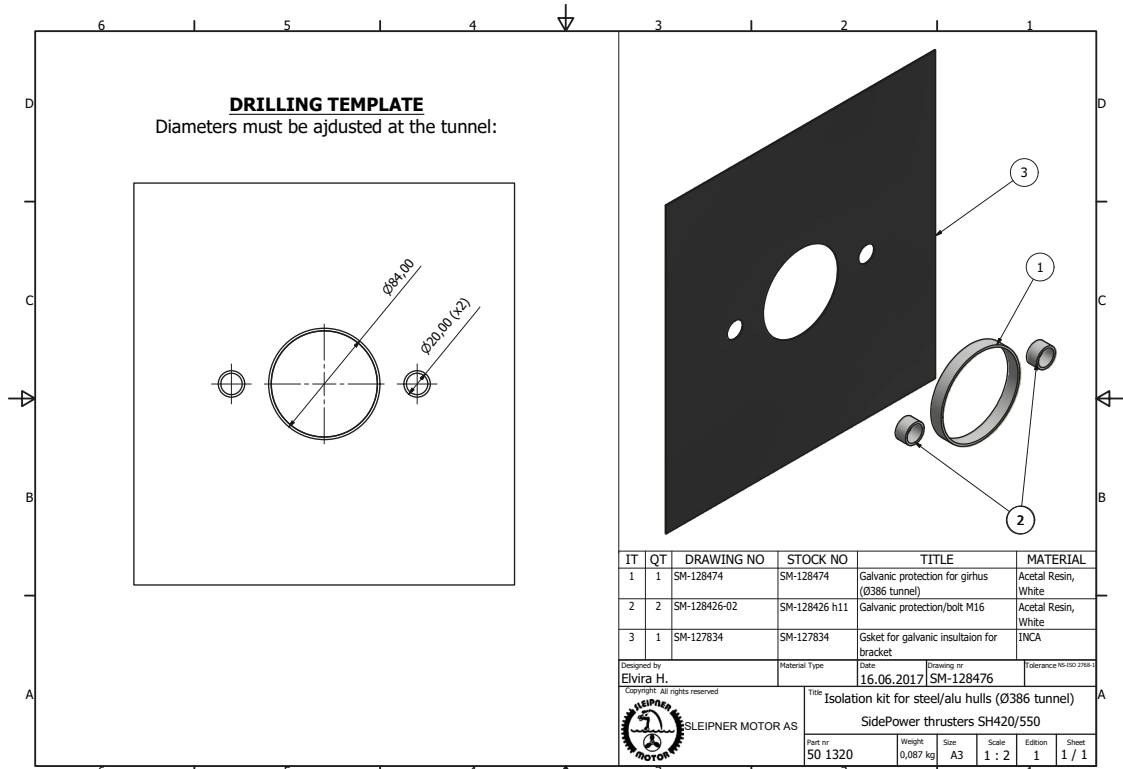
Isolation kit for steel/alu hulls Ø300 tunnel
SidePower thrusters SE240-285 (SH300/350)

Part nr	20 1320	Weight	0,037 kg	Size	A3	Scale	1 : 1,5	Edition	1	Sheet	1 / 1
---------	---------	--------	----------	------	----	-------	---------	---------	---	-------	-------





Dimensions - Isolation kits $\varnothing 386\text{mm}$ - $\varnothing 411\text{mm}$





Dimensions - Isolation kits - Ø513mm - Ø610mm

↓

DRILLING TEMPLATE

Diameters must be adjusted at the tunnel:

IT	QT	DRAWING NO	STOCK NO	TITLE	MATERIAL
1	1	SM-128292-01 h15mm	SM-128292 h15	Galvanic protection/gearhouse SH1000/1400	Acetal Resin, White
2	5	SM-128293-01 h15mm	SM-128293 15mm	Galvanic protection/bolts M12	Acetal Resin, White

Designed by Elvira H.		Material Type	Date 6/13/2017	Drawing nr SM-128300	Tolerance NS-ISO 2768-1		
Copyright All rights reserved		Title Isolations kit for steel/alu hulls SH1000 SidePower thrusters/tunnel Ø513					
 SLEIPNER MOTOR AS		Part nr	Weight	Size	Scale	Edition	Sheet
		70 1320	0.029 kg	A4	1 : 4	1	1 / 1

↑

↓

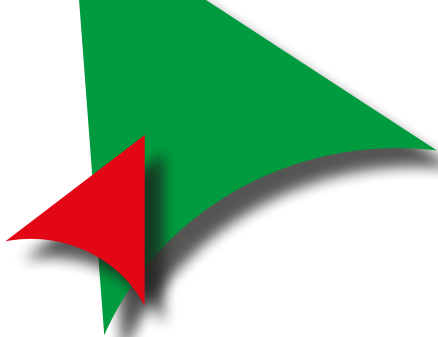
DRILLING TEMPLATE

Diameters must be adjusted at the tunnel:

IT	QT	DRAWING NO	STOCK NO	TITLE	MATERIAL
1	1	SM-128292-02 h19mm	SM-128292 h19	Galvanic protection/gearhouse SH1000/1400	Acetal Resin, White
2	5	SM-128293-01 h19mm	SM-128293 19mm	Galvanic protection/bolts M12	Acetal Resin, White

Designed by Elvira H.		Material Type	Date 6/14/2017	Drawing nr SM-128429	Tolerance NS-ISO 2768-1		
Copyright All rights reserved		Title Isolations kit for steel/alu hulls SH1400 SidePower thruster / Ø610 tunnel					
 SLEIPNER MOTOR AS		Part nr	Weight	Size	Scale	Edition	Sheet
		100 1320	0.040 kg	A4	1 : 4	1	1 / 1

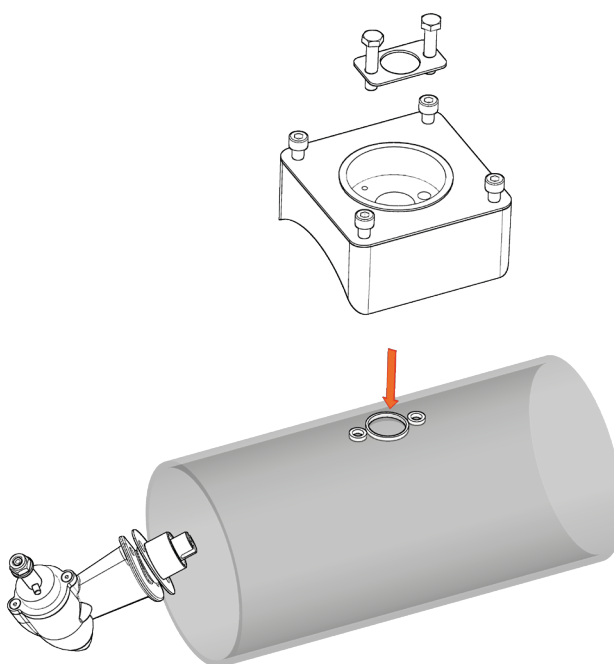
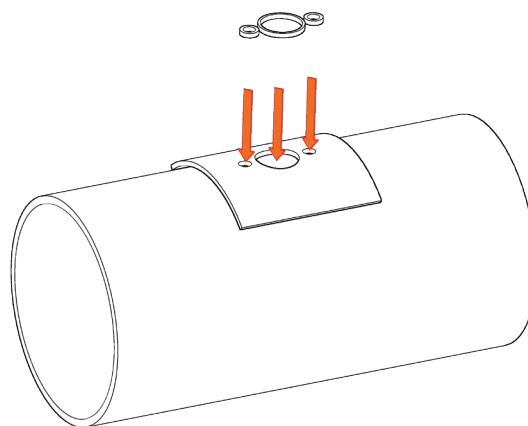
↑



Installation instructions

1. Use the standard drilling template or gasket to mark the centre of the holes on the tunnel correctly.
2. Use the correct and relevant isolator kit measurement drawing and drill the holes in accordance with measurements.
3. Place the isolator parts in position and fasten gearleg and bracket according to Thruster Installation manual.
- 4.

IMPORTANT! Some isolation kits have a gasket included, remember always to place it between the tunnel and motor bracket.



This document may contain typographical errors and changes, to which Sleipner Motor assumes no responsibility.



Sleipner Motor AS
P.O. Box 519,
N-1612 Fredrikstad, Norway
www.side-power.com

