



Product Guide

For Thruster Anodes

DOCUMENT ID: 3867



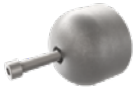



REVISION: 4

DATE: 2024

LANGUAGE:

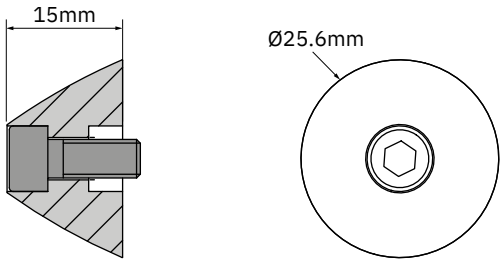
Quick Reference Anode Chart

MC_0441

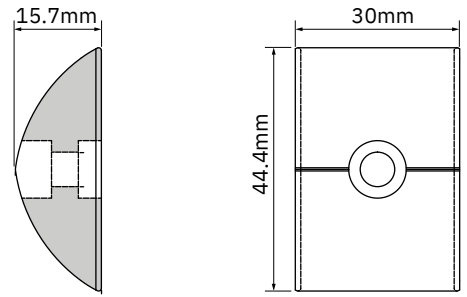
| | # | Part Number | Thruster models | Notes |
|--|----|----------------------|---|--------------------------------|
|  | 1 | 3 1180 A | SP30/ 35/ 40 SE30/ 40 | |
|  | 2 | 140971 | EB | |
|  | 3 | 4 1190 | EX | |
|  | 4 | 6 1180 | 4HP/6HP/Retract 80/100 | Up to 1999(4/6hp) |
|  | 5 | 7 1180 | 7HP | For 3blade propeller |
|  | 6 | 7 1190 A 7 1190 M | SP55/ 75/ 95 SE60/ 80/ 100 SX80/ 100 SH100 | M (Magnesium) A (Aluminium) |
|  | 7 | 10 1180 | For all 250mm and 300mm tunnel diameter thrusters w/ bronze propellers | |
|  | 8 | 20 1180 20 1180A | SP125/ 155/ 240/ 285 SE120/ 130/ 150/ 170/ 210 Retract 130/ 170/ 210/ 285 SH160/ 240/ 300 SAC250/ 300 | |
|  | 9 | 50 1180 50 1180 A | SP550 HYD SH550/ 420 SAC386 | |
|  | 10 | 70 1180 70 1180 A | SH1000/ 1400 SAC513/ 610 | |
|  | 11 | 140629 | Retract 80 - 285 | NOT SR80/ 100 |

Anode Measurements

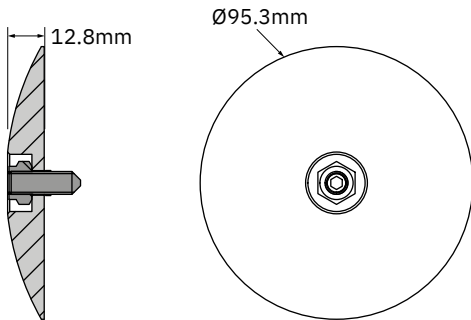
1



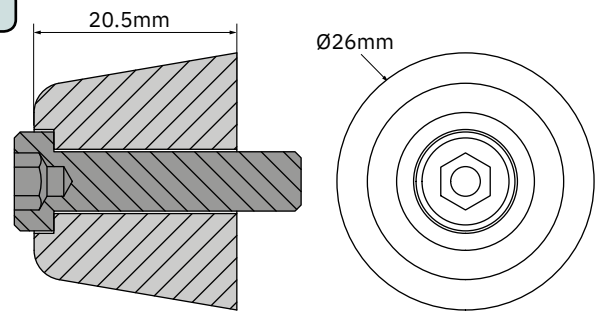
2



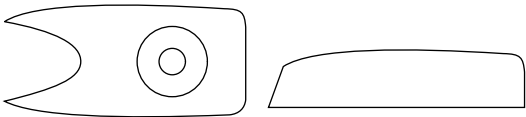
3



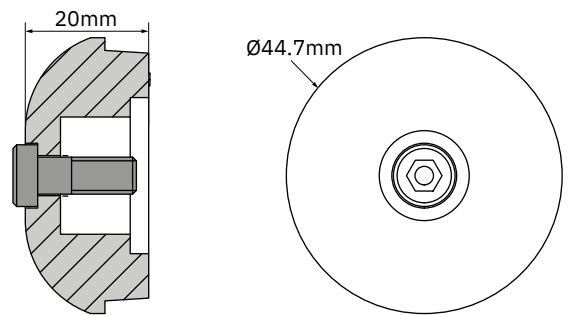
4



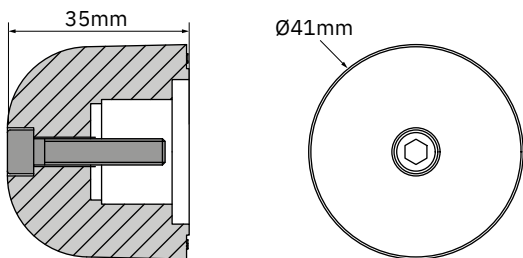
5



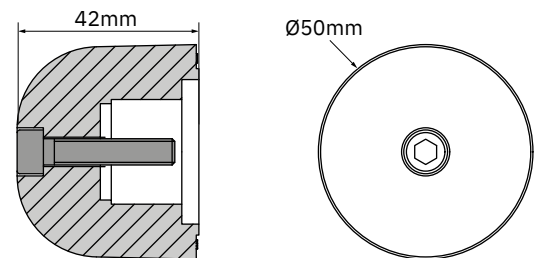
6



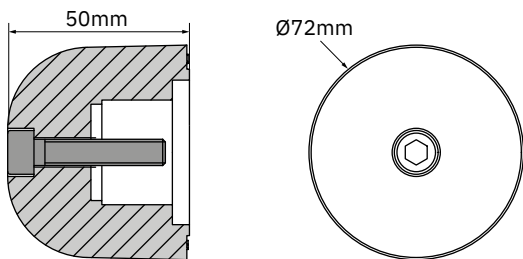
7



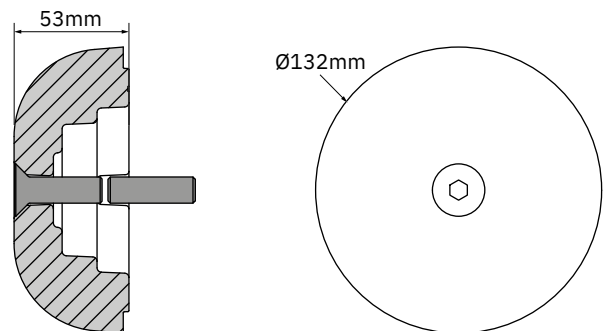
8



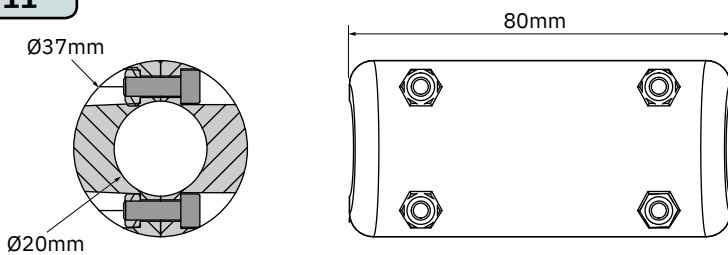
9



10



11



© **Sleipner Group**, All rights reserved
The information given in the document was right at the time it was published. However, Sleipner Group cannot accept liability for any inaccuracies or omissions it may contain. Continuous product improvement may change the product specifications without notice. Therefore, Sleipner Group cannot accept liability for any possible differences between product and document.

Learn more about our products at
www.sleipnergroun.com



SLEIPNER MOTOR AS

P.O. Box 519

N-1612 Fredrikstad

Norway

www.sleipnergroun.com

Made in Norway